

# MLED-150Ex

## 10NM External Powered Marine Lantern



TIDELAND ENGINEERED

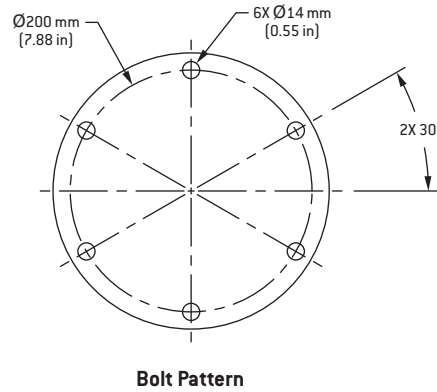
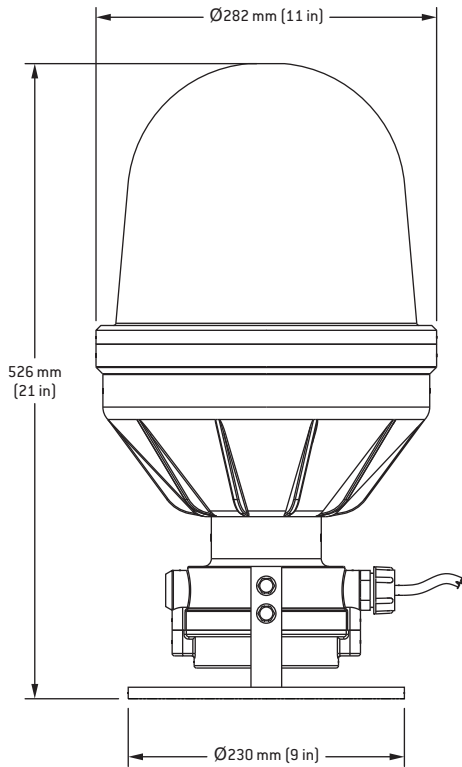
MLED-150Ex brings the benefits of LED technology, low power, high reliability and low maintenance, to the Zone 1 environment. The flasher and optical source assembly, designated MaxiHALO-150, is designed after the proven MaxiHALO-60. The MaxiHALO-150 is installed in a rugged Exd well glass housing used in the rigors of offshore atmospheres. The MLED-150Ex is compatible with current Tideland Signal lanterns and is configurable as a Secondary (Standby) light. When used in a main and secondary pair installation, the Secondary light monitors the Main light and, upon failure, automatically begins operation. Onboard software constantly monitors operation of the MLED-150Ex and initiates an alarm signal if critical operation parameters are exceeded. The MLED-150Ex produces an omnidirectional beam of 10 NM visual range with  $T = 0.74$  (16 NM with  $T = 0.85$ ).



### FEATURES

- User selectable power settings
- 256 user selectable flash characters
- Temperature compensated LED drive circuits ensure uniform brightness with changes in ambient temperature
- Full monitor and control capability
- Fail output terminal for go/nogo monitoring
- Constant current power source maximises LED life
- Optional GPS synchronisation module

MLED-150Ex is ideal for use as a Secondary light or as a standalone 10 NM light for use in hazardous gas environments like LNG terminals and jetties. Fitted with a MaxiHALO-150 Red flasher, MLED-150Ex can be used as a subsidiary lantern.



**TIDELAND SIGNAL CORPORATION**  
**CORPORATE HEADQUARTERS (Houston, TX)**  
 TEL + 1 713-681-6101  
 FAX + 1 713-681-6233  
 EMAIL [hq@tidelandsignal.com](mailto:hq@tidelandsignal.com)

**TIDELAND SIGNAL CORPORATION (Lafayette, LA)**  
 TEL + 1 337-269-9113  
 FAX + 1 337-269-9052  
 EMAIL [lafayettesales@tidelandsignal.com](mailto:lafayettesales@tidelandsignal.com)

**TIDELAND SIGNAL CANADA LTD**  
**(Vancouver and Ottawa)**  
 TEL + 1 604-247-0988  
 FAX + 1 604-247-0987  
 EMAIL [canada-sales@tidelandsignal.com](mailto:canada-sales@tidelandsignal.com)

**TIDELAND SIGNAL PTE LTD (Singapore)**  
 TEL + 65 6333-0078  
 FAX + 65 6333-0079  
 EMAIL [sales@tidelandsignal.com.sg](mailto:sales@tidelandsignal.com.sg)

**TIDELAND SIGNAL LTD (Burgess Hill, UK)**  
 TEL + 44 (0) 1444-872240  
 FAX + 44 (0) 1444-872241  
 EMAIL [sales@tidelandsignal.ltd.uk](mailto:sales@tidelandsignal.ltd.uk)

**TIDELAND SIGNAL LTD (Dubai, UAE)**  
 TEL + 971 (0) 4-885-5842  
 FAX + 971 (0) 4-885-7352  
 EMAIL [sales@tidelandsignal.ltd.uk](mailto:sales@tidelandsignal.ltd.uk)

**WEBSITE** [www.tidelandsignal.com](http://www.tidelandsignal.com)

## SPECIFICATIONS

Input Voltage	9 to 36 VDC
Power Consumption	Variable up to 20 Watts
Power Setting	Field Selectable
Colours Available	Red, green, yellow, white and blue
Quiescent Current	< 7mA
Visibility	360° horizon (omnidirectional)
Vertical Divergence	3.7°
Monitor and Control	Capable
Flash Codes	256 codes
Synchronisation	GPS or hardwire options
Sunswitch Threshold	Variable
Weight	15kg (33lb)
Operating Temperature	-40° to +60°C
Relative Humidity	100% condensing
Atmosphere	Rated for operation in salt air
Wind	Designed to withstand speeds in excess of 320kmph (200mph)
IP Rating	IP65

NOTE: Specifications are subject to change.



ISO 9001:2008  
 Certificate  
 Number: 30061

ISO 9001:2008

Tideland Signal Corporation maintains ISO 9001:2008 accreditation. It is company policy to provide products and services that meet the highest standards of quality in the industry.

## Membership Organisations



© Tideland Signal Corporation 2010  
 BD14R01