

# MLED-180HI Ex

External Powered Marine Lantern



TIDELAND ENGINEERED

MLED-180HI Ex brings the benefits of LED technology, low power, high reliability and low maintenance, to the Zone 1 environment.

The flasher and optical source assembly designated MaxiHALO-180HI is designed after the proven MaxiHALO-150.

The MaxiHALO-180HI is installed in a rugged Exd well glass housing used in the rigours of offshore atmospheres.

When used in a biform arrangement a range of in excess of 15Nm is achieved. Onboard software constantly monitors operation of the MLED-180HI Ex and initiates an alarm signal if critical operation parameters are exceeded.

---

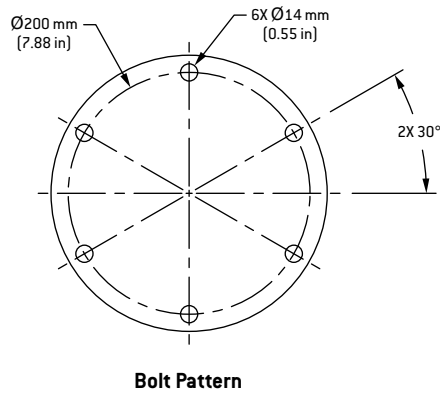
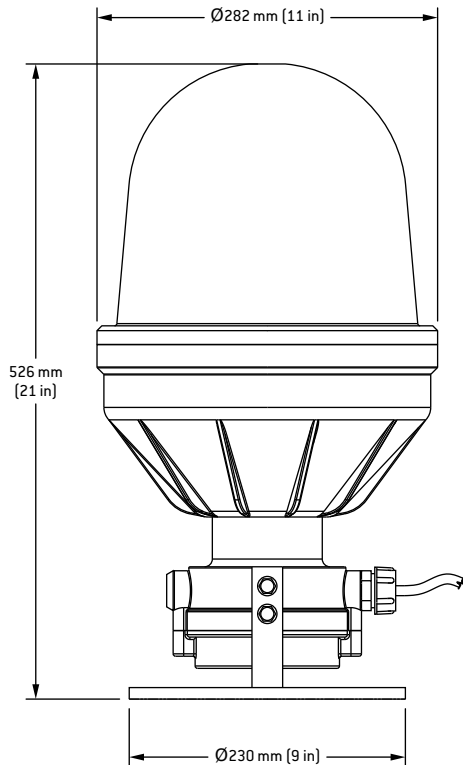
## FEATURES

---

- User selectable power settings
- 256 user selectable flash characters
- Temperature compensated LED drive circuits ensure uniform brightness with changes in ambient temperature
- Full monitor and control capability
- Fail output terminal for go/nogo monitoring
- Constant current power source maximises LED life



MLED-180HI Ex is ideal for use as a main light or as a standalone light for use in hazardous gas environments like LNG terminals and jetties.



**TIDELAND SIGNAL CORPORATION**  
**CORPORATE HEADQUARTERS (Houston, TX)**  
 TEL + 1 713-681-6101  
 FAX + 1 713-681-6233  
 EMAIL [hq@tidelandsignal.com](mailto:hq@tidelandsignal.com)

**TIDELAND SIGNAL CORPORATION (Lafayette, LA)**  
 TEL + 1 337-269-9113  
 FAX + 1 337-269-9052  
 EMAIL [lafayettesales@tidelandsignal.com](mailto:lafayettesales@tidelandsignal.com)

**TIDELAND SIGNAL CANADA LTD**  
**(Vancouver and Ottawa)**  
 TEL + 1 604-247-0988  
 FAX + 1 604-247-0987  
 EMAIL [canada-sales@tidelandsignal.com](mailto:canada-sales@tidelandsignal.com)

**TIDELAND SIGNAL PTE LTD (Singapore)**  
 TEL + 65 6333-0078  
 FAX + 65 6333-0079  
 EMAIL [sales@tidelandsignal.com.sg](mailto:sales@tidelandsignal.com.sg)

**TIDELAND SIGNAL LTD (Burgess Hill, UK)**  
 TEL + 44 (0) 1444-872240  
 FAX + 44 (0) 1444-872241  
 EMAIL [sales@tidelandsignal.ltd.uk](mailto:sales@tidelandsignal.ltd.uk)

**TIDELAND SIGNAL LTD (Dubai, UAE)**  
 TEL + 971 (0) 4-885-5842  
 FAX + 971 (0) 4-885-7352  
 EMAIL [sales@tidelandsignal.ltd.uk](mailto:sales@tidelandsignal.ltd.uk)

**WEBSITE** [www.tidelandsignal.com](http://www.tidelandsignal.com)

## SPECIFICATIONS

Input Voltage	24VDC
Average Power Consumption	<40W
Quiescent Current	<7mA
Visibility	360° horizon (omnidirectional)
Monitor and Control	Capable
Flash Codes	256 codes
Synchronisation	Hardwire
Sunswitch Threshold	Variable
Weight	15kg (33lb)
Operating Temperature	-40° to +60°C
Relative Humidity	100% condensing
Atmosphere	Rated for operation in salt air
Wind	Designed to withstand speeds in excess of 320kmph (200mph)
IP Rating	IP65
Protection	II2 GD EEx de IIC T3

NOTE: Specifications are subject to change.



ISO 9001:2008  
 Certificate  
 Number: 30061

### ISO 9001:2008

Tideland Signal Corporation maintains ISO 9001:2008 accreditation. It is company policy to provide products and services that meet the highest standards of quality in the industry.

### Membership Organisations

